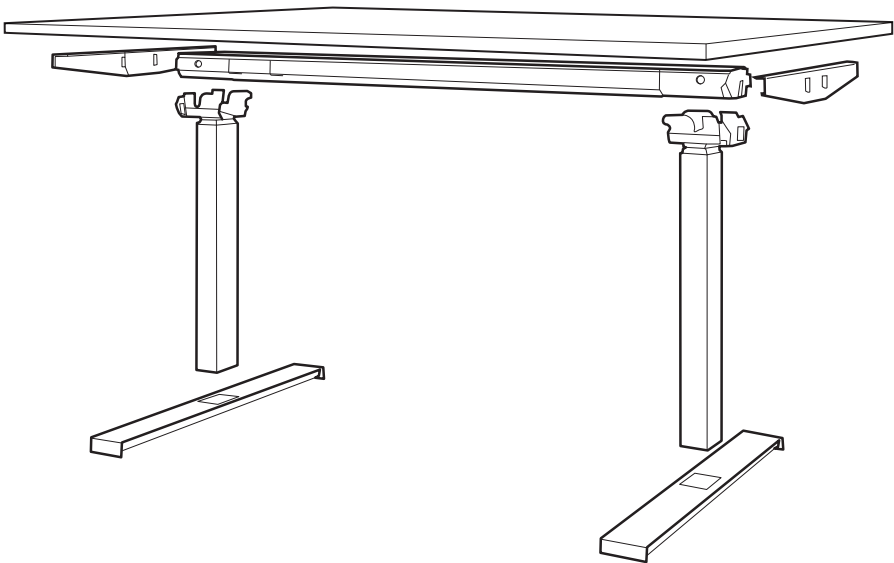


WORK & MOVE Desk

Installatiehandleiding



Instruction video



www.bakkerelkhuizen.nl

1.

Onderdelen:

A. Cantilever (2x)

B. Uprights (2x)

C. Beam

D. Feet (2x)

E. Manual controller

F. WORK & MOVE
connector

G. Power cable

H. Desktop

I. Adjusting screws for
the adjustable feet screws to fix the
uprights.

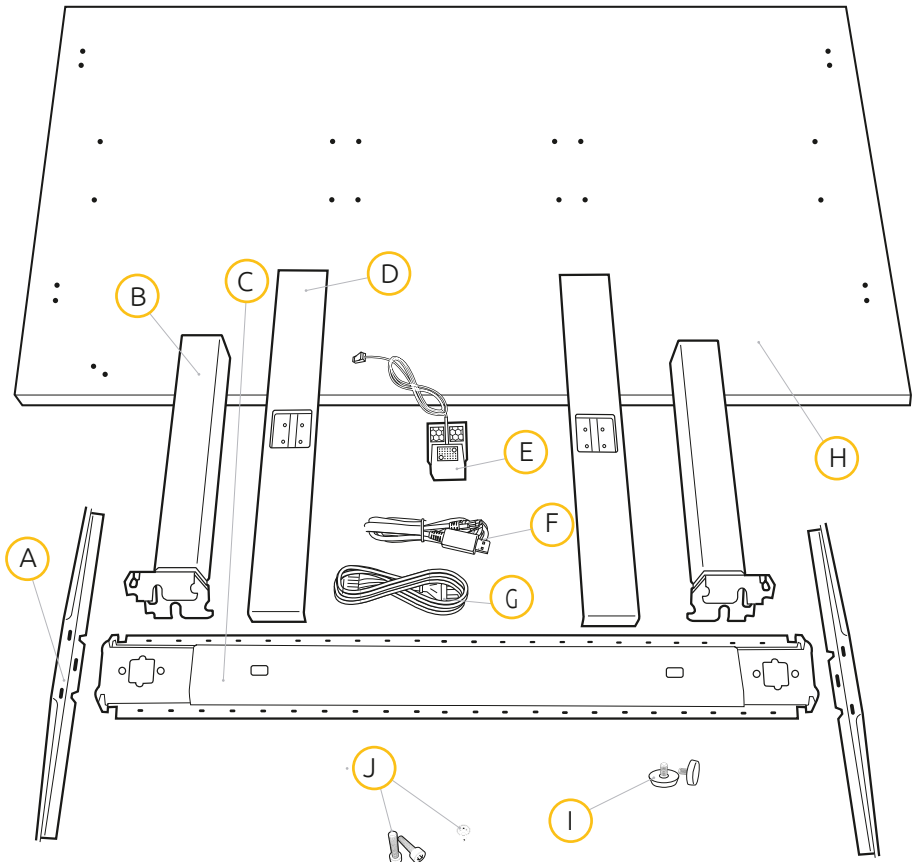
J. Screws:

- 22x mounting
screws (20 + 2 extra)

- 2x mounting
screws for manual
controller

- 3x cable clips

- 8x M6 mounting



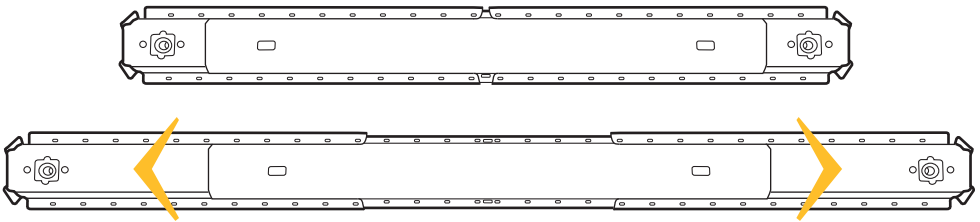
2.

Turn tabletop upside down with the drill holes facing up.

3.

Extend beam to required length
(width 1150 to 1750 mm), adjustable in 50 mm steps.

Make sure, when placing the beam on the tabletop, that the RJ45 socket is on the same side as the drill holes for the desk controller. Or in the case of a Table Top with pre-drilled holes: make sure that the drill holes match the holes in the beam.



- ! The beam must **not** be pulled completely apart to make sure the drive shaft is not pulled apart.

Minimum adjustment in the connection end is 100 mm
(to keep power and RJ45 (data cable) sockets accessible),
otherwise adjustable in 50 mm steps.

4.

4.1

Place a cantilever slightly tilted at end of beam.

4.2

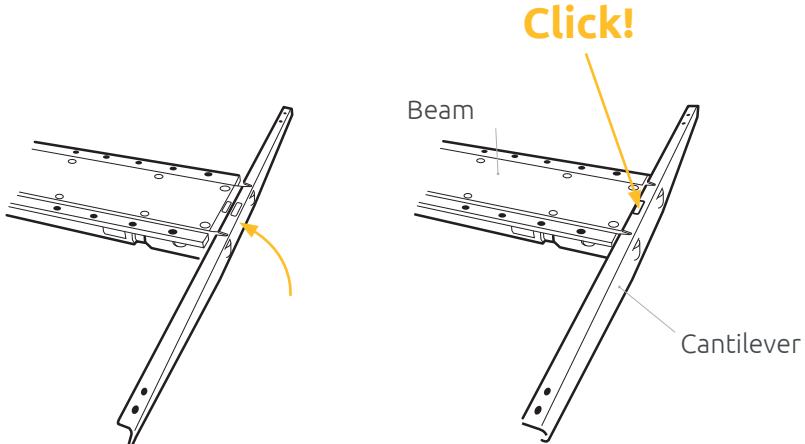
Press cantilever into place until a click is heard and pawls lock cantilever in correct position.

4.3

Mount cantilever on the end of both sides of the beam.

! *Make sure that the cantilevers are placed correctly and cannot be twisted off the beam.*

! *Do not extract the beam using the cantilevers as handles.*



5.

Place assembled frame in correct position.

Make sure that the drill holes match the holes in the beam & cantilevers.

6.

Fasten frame to tabletop using 20 mounting screws as follows (lining up with drill holes):

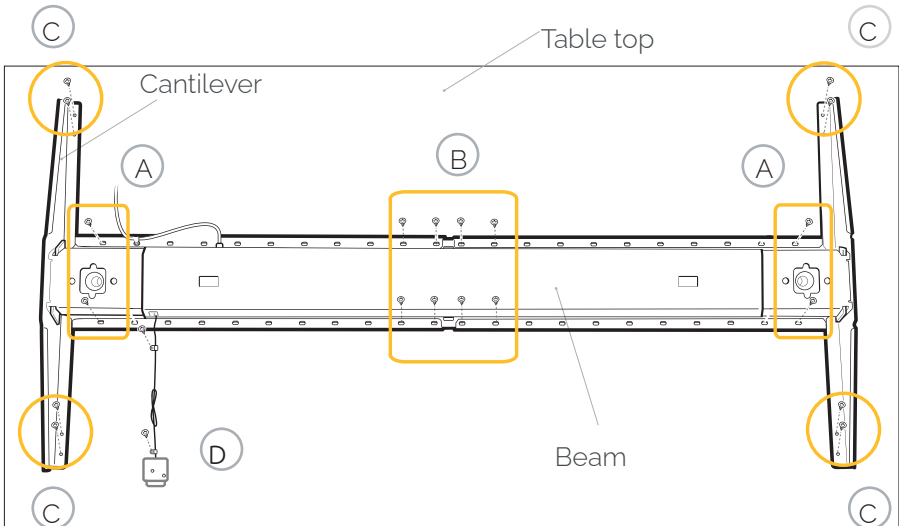
A. 4 screws at ends of beam. Use one of these to fix mains cable to beam with cable clamp creating a cable relief, see step 7.

B. 8 screws at extension points.

C. 8 screws in cantilevers.

D. Mount the manual controller. Plug the black cable into the RJ45 socket of the beam. Use the 2 mounting screws to secure it.

E. Connect the WORK & MOVE cable to the RJ45 connector (next to the manual controller).

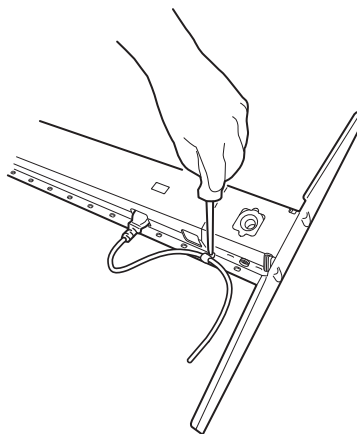
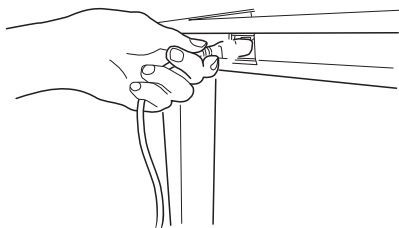


** If you put the WORK & MOVE cable into the RJ45 socket you can operate the table with the WORK & MOVE software that's installed on your laptop. In case you want to move the table up or down without WORK & MOVE connected you use the manual controller.*

7.

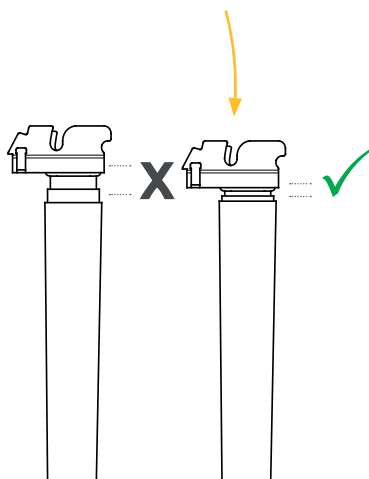
Connect the power cable

Ensure to make a cable relief using the cable clamp when fastening the cable to the tabletop.



8.

Mount columns.



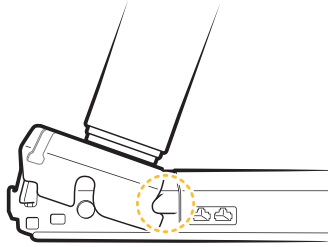
8.1

Ensure columns are completely retracted.

! If the column extracts when turned upside down, turn the spindel clockwise until the end.

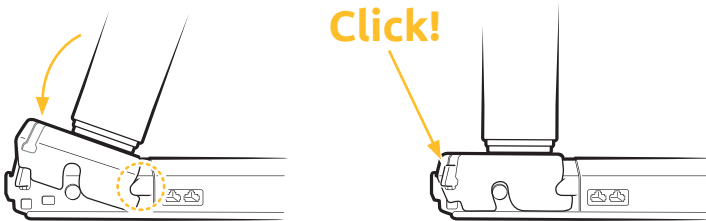
8.2

Tilt columns and place correctly on beam using guiding notches.



8.3

Fix column to beam by pressing down until a “click” is heard and **both** pawls lock column in correct position.



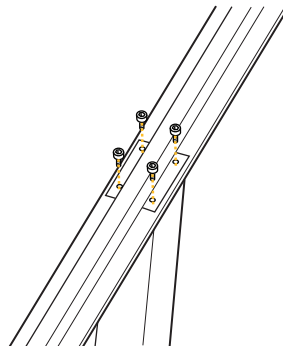
! Check that both pawls are visible after mounting of the columns. Otherwise, remove column and try again.

9.

Mount feet.

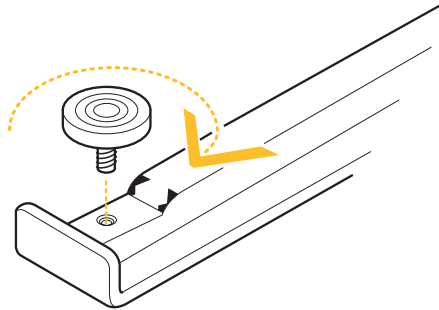
9.1

Mount feet on columns using eight M6 mounting screws.



9.2

Mount leveling feet.



10.

Turn the WORK and MOVE desk around on his feet and make sure that it's level. If necessary, level out the table with the adjustment leveling feet screws (see 9.2).

11.

Connect the WORK & MOVE desk to the power outlet.

Your desk is now ready for use.

- ! *Download the WORK & MOVE Software. You have received the WORK & MOVE license and manual by e-mail with your order.*

Disassembly

- ! For disassembling the beam, use a WORK & MOVE Desk frame disassembly tool (ordering code BNELINWMDT).

This disassembly tool has ridges on one side. Point this side towards the outside of the table.



1.

Set the desk to its minimum height so columns are completely retracted.

2.

Disconnect from mains supply.

3.

Turn table upside down.

4.

Disconnect, unscrew and remove the manual controller.

5.

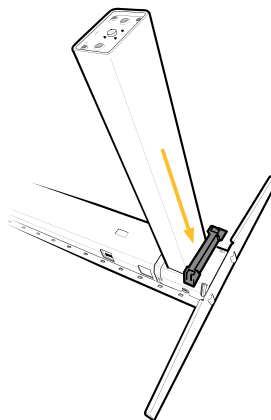
Unscrew and remove the feet.

6.

Place disassembly tool on beam with the ridges facing towards the cantilever.

7.

Press straight down to loosen cantilever.

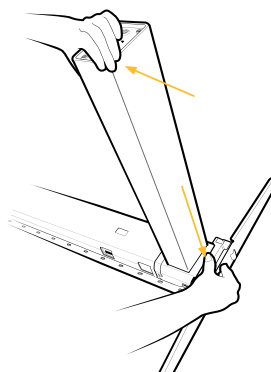


8.

At the same time press disassembly tool down and tilt firmly column to remove from beam.

9.

Repeat step 6 to 8 for the other side of the frame.





BakkerElkhuizen
Taalstraat 151
5261 BC Vught
Nederland
tel. +44 203 6083569
email. info@bakkerelkhuizen.com

All rights reserved. All trade names are registered trademarks of the respective manufacturers. All specifications are subject to subject to change without notice.

